

● ● ● Price index



IPA Qualification Certificate:
Air Cleanless Class ISO Class 2
(at v = 1 m/s) upon request



UL94-V2
classifications



Torsional
motion possible



Special equipment:
Electrically conductive ESD/ATEX
version upon request



Low-noise
due small pitch



Just pull out cable by hand
- and it's ready



When to use the Series E08/Z08:

- If filling is required without opening and closing lids
- If price is an issue
- If quiet operation is required



When not to use it:

- For applications with very high loads and long unsupported travel lengths
 - ▶ **Series 09 zipper**, page 4.26
- "Z" Series is unsuitable for gliding applications
 - ▶ **Series 09 zipper**, page 4.26

- 1 Very easy to fill - ideal for harnessed cable assemblies
- 2 Small pitch for low-noise, smooth operation
- 3 Limited torsion tolerance
- 4 Light Weight
- 5 The patented push-button principle holds the links together
- 6 Cable-friendly interior
- 7 "E" Series features split crossbar along the outer radius
- 8 "Z" Series features split crossbar along the inner radius
- 9 Integrated strain relief option



Order example complete e-chain®

Please indicate chain-lengths or number of links **Example: 1 m or 50 links**

1 m **E08.30.038.0**



e-chain®

1 set **080.30.12PZ**



Mounting bracket

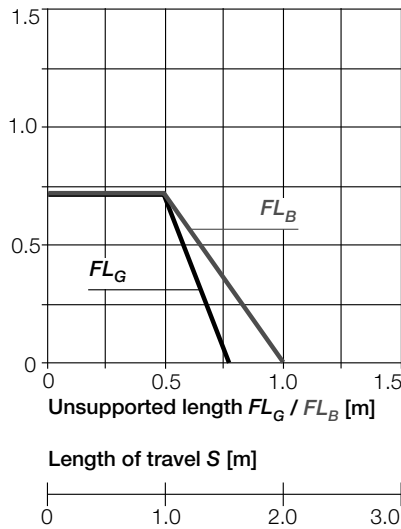
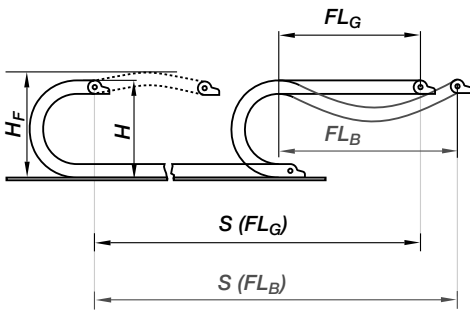


Unsupported length

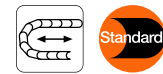
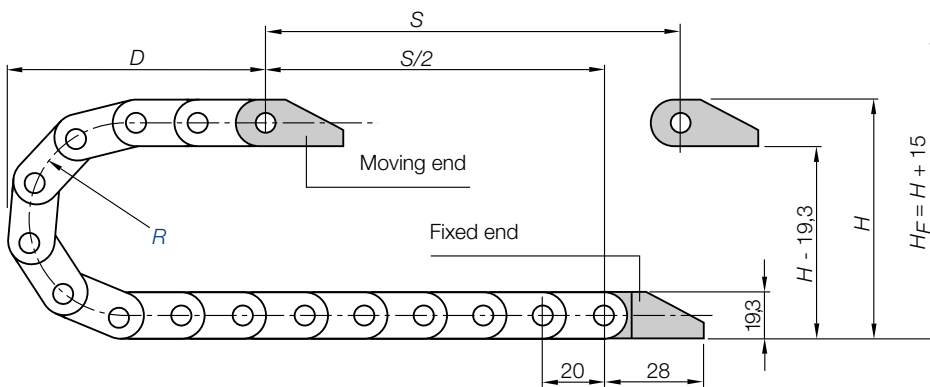
FL_G = with straight upper run

FL_B = with permitted sag

Further information ► Design, page 1.12



- S = Length of travel
- R = Bending radius
- H = Nominal clearance height
- H_F = Required clearance height
- D = Overlength e-chain® radius in final position
- $K = \pi \cdot R + \text{"safety"}$



Short travels - unsupported

Unsupported e-chains® feature positive camber over short travels. This must be accounted for when specifying the clearance height H_F . Please consult igus® if space is particularly restricted.

Pitch = 20 mm/link Links/m = 50 (1.000 mm) Chain length = $S/2 + K$

R	025*	028	038	048
H	69	75	95	115
D	65	68	78	88
K	120	130	160	195

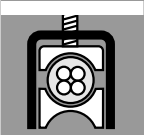
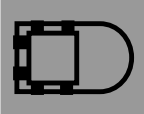
*Radius 025 available upon request

The required clearance height:
 $H_F = H + 15 \text{ mm}$
(with 0,3 kg/m fill weight)

14,6 14,7

easy chain®
Inner height: 14,6/14,7 mm

Phone +49- (0) 22 03-96 49-800
Fax +49- (0) 22 03-96 49-222



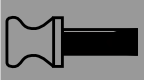
Speed / acceleration FL_G	max. 20 [m/s] / max. 200 [m/s²]
Speed / acceleration FL_B	max. 3 [m/s] / max. 6 [m/s²]
Gliding speed / acceleration (maximum)	max. 3 [m/s] / max. 10 [m/s²]
Material (e-chain®)- permitted temperature °C	igumid NB / -40° up to +80° C
Material (mounting brackets)* - permitted temperature °C	igumid G / -40° up to +120° C
Flammability class (e-chain®), igumid NB	VDE 0304 IIC UL94 V2
Flammability class (mounting brackets), igumid G*	VDE 0304 IIC UL94 HB

*Available in igumid NB upon request, please consult igus® for delivery time

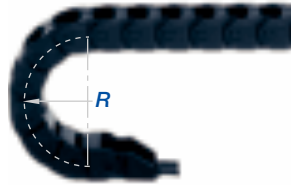
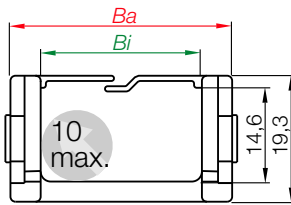
Technical Data



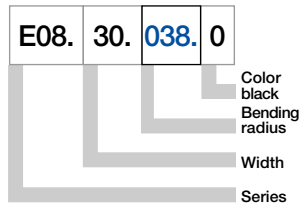
Details of material properties
► page 1.38



► page 3.5



Part No. structure



Series E08 - split crossbar along the outer radius

Part No.	Bi [mm]	Ba [mm]	R [mm]	Bending radii				Weight [kg/m]
E08.10.□.0*	10	18,2	025**	028	038	048	≈ 0,21	
E08.16.□.0*	16	24,2	025**	028	038	048	≈ 0,24	
E08.20.□.0	20	28,2	025**	028	038	048	≈ 0,25	
E08.30.□.0	30	38,2	025**	028	038	048	≈ 0,28	
E08.40.□.0	40	48,2	025**	028	038	048	≈ 0,31	
E08.50.□.0	50	58,2	025**	028	038	048	≈ 0,37	

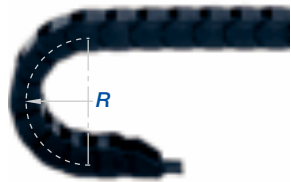
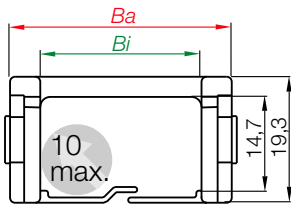
Ba: pin dimension approx. 0,3 - 0,5 mm wider!

*Crossbars do not overlap! Gap: E08.10. = 5,5 mm, E08.16. = 4 mm

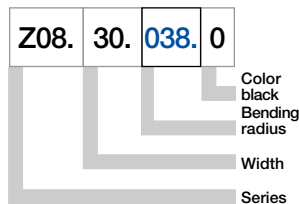
**Radius 025 available upon request

Supplement Part No. with required radius. Example: E08.30.038.0

0 = standard color, other colors ► page 1.39 · Pitch = 20 mm/link - Links/m = 50



Part No. structure



Series Z08 - split crossbar along the inner radius

Part No.	Bi [mm]	Ba [mm]	R [mm]	Bending radii				Weight [kg/m]
Z08.10.□.0*	10	18,2	025**	028	038	048	≈ 0,21	
Z08.16.□.0*	16	24,2	025**	028	038	048	≈ 0,24	
Z08.20.□.0	20	28,2	025**	028	038	048	≈ 0,25	
Z08.30.□.0	30	38,2	025**	028	038	048	≈ 0,28	
Z08.40.□.0	40	48,2	025**	028	038	048	≈ 0,31	
Z08.50.□.0	50	58,2	025**	028	038	048	≈ 0,37	

Ba: pin dimension approx. 0,3 - 0,5 mm wider!

*Crossbars do not overlap! Gap: Z08.10. = 5,5 mm, Z08.16. = 4 mm

**Radius 025 available upon request

Supplement Part No. with required radius. Example: Z08.30.038.0

0 = standard color, other colors ► page 1.39 · Pitch = 20 mm/link - Links/m = 50

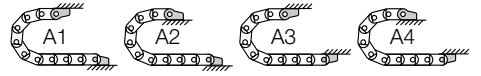
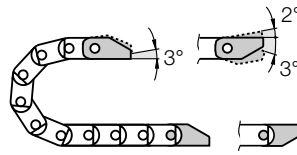




Polymer, one-piece

- One-piece mounting bracket
- Corrosion-resistant
- Available preassembled
- Inner and outer attachment possible
- Available with integrated strain relief tiwrap plates

Moving end with bore
(outer link) 080...1 (PZ)

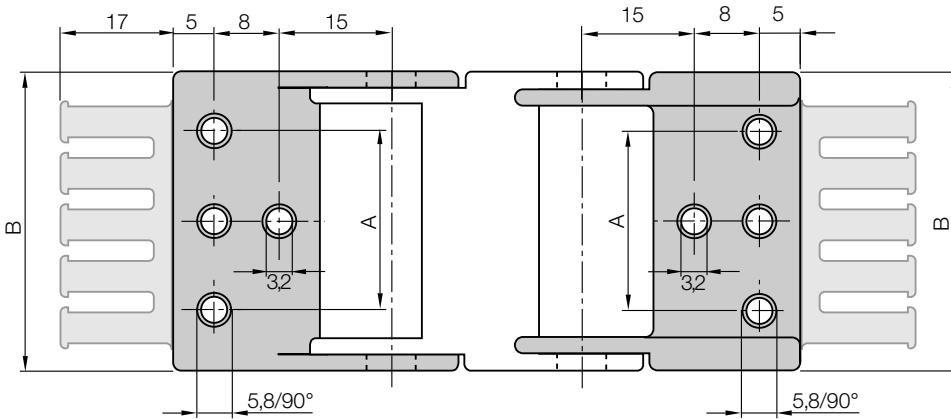


080...2 (PZ) Fixed end
with pin (inner link)

Possible installation conditions for assembled mounting brackets ► Order example "preassembled" below

080...1 (PZ)
Moving end

080...2 (PZ)
Fixed end



Dimensions and order configurations

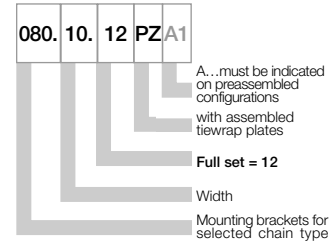
Strain relief is possible on the moving end and/or the fixed end.

080.10.12 - 080.20.12: center bores only
080.30.12 - 080.50.12: all bores

For e-chain®	Part No. full set with tiwrap plate	Part No. full set without tiwrap plate	Number of teeth	Dim. A [mm]	Dim. B [mm]
E08-Z08.10. ►	080.10. 12 PZ	080.10. 12	1	-	18,2
E08-Z08.16. ►	080.16. 12 PZ	080.16. 12	2	-	24,2
E08-Z08.20. ►	080.20. 12 PZ	080.20. 12	2	-	28,2
E08-Z08.30. ►	080.30. 12 PZ	080.30. 12	3	22	38,2
E08-Z08.40. ►	080.40. 12 PZ	080.40. 12	4	32	48,2
E08-Z08.50. ►	080.50. 12 PZ	080.50. 12	5	42	58,2

For the **preassembled** mode please add the index **A1** ... **A4** e.g. 080.10. 12 PZ **A1**

Part No. structure



Full set, for both ends:

080. 10. 12 PZ +tiwrap plate

Single-part order:

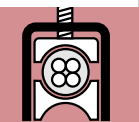
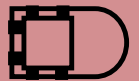
080. 10. 1 PZ +tiwrap plate

Mounting bracket **with bore**

080. 10. 2 PZ +tiwrap plate

Mounting bracket **with pin**

Phone +49- (0) 22 03-96 49-800
Fax +49- (0) 22 03-96 49-222



Quicksnap - the complete, detachable mounting unit, available upon request



Quickfix - mounting bracket with dowel, available upon request

Additional Features